

# Insulation Testers

## Battery Powered Insulation Testers

● Analog Models

- 3213A** Single range
- 2406E** 2 and 3 ranges
- MY10** Single range

● Digital Models

- MY40** 4 ranges



## What Is Insulation Resistance?

Insulation resistance represents the state of insulation of electric equipment or circuits. It is one of the important measurement parameters in terms of safety and security. Methods of examining the state of insulation include using a clamp-on leakage tester for live circuits. Under normal circumstances, however, such electric equipment or circuits are shut down temporarily and their insulation is tested with an insulation tester.

## Classification of Applications

Applications are roughly classified into low-voltage, high-voltage and ultra-high-voltage circuits. The table below summarizes examples of using rated test voltages. A tester with the rated test voltage of 500 V or 100 V/250 V is used for low-voltage circuits.

Rated test voltage	General Electric Equipment	Electric Installations/Circuits
	Insulation testing at safe voltage levels	
25V 50V	Insulation testing of telephone network equipment and flame-proof equipment	Insulation testing of telephone line circuits
100 V 125 V	Insulation testing of control equipment	Insulation testing for maintaining low-voltage circuits or equipment handling levels lower than 100 V
250 V	Insulation testing of low-voltage circuits or equipment	Insulation testing for maintaining low-voltage circuits or equipment handling 200 V or lower levels lower than 100 V
500 V	Insulation testing of newly installed circuits or of circuits or equipment handling levels lower than 600 V (general equipment)	Insulation testing for maintaining low-voltage circuits or equipment handling levels lower than 600 V; insulation testing of circuits or equipment handling 100 V, 200 V, or 400 V levels upon completion of installation
1000 V	Insulation testing of circuits, equipment, or facilities handling levels higher than 600 V (general equipment)	Insulation testing of circuits or equipment handling constantly high operating voltages (e.g., high-tension cables, high-voltage electric equipment, and communications equipment and electric circuits handling high voltages)

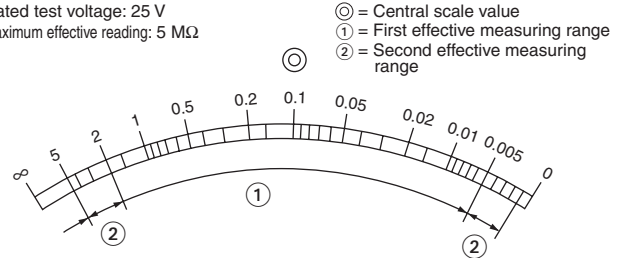
## Test Methods for Low-voltage Circuits

Insulation resistance between cables of a low-voltage circuit and between the circuit and ground is tested for each circuit that can be separated by a switch or overcurrent breaker installed as specified by the electrotechnical equipment standards.

The low-voltage circuit is shut down by opening the switch and insulation between cables of the circuit and between the circuit and ground is tested. If the measured value is below the rated resistance, all shunt switches of a trunk line are opened and insulation is tested separately for each shunt circuit. The comparator function of the MY40 insulation tester allows for smooth judgment when checking the insulation of electric circuits.

## Methods of Scaling the 1st and 2nd Effective Measuring Ranges of Moving-pointer Insulation Testers

Rated test voltage: 25 V  
Maximum effective reading: 5 MΩ



### Maximum effective reading:

The maximum reading that is indicated on the insulation tester and falls within the range with which the accuracy of the insulation tester is guaranteed.

### Effective test range:

A test range or ranges, among those of the insulation tester, over which accuracy specified in the standards is guaranteed. In moving-pointer insulation testers, the range from a resistance value one-thousandth (1/1000) the maximum effective reading to the resistance value that is nearest to half (1/2) the maximum effective reading and equal to the maximum effective reading multiplied by 1, 2 or 5 or by any of these values multiplied by ten (10) raised to a whole-number power, shall be referred to as a first effective measuring range. In addition, the range from the upper limit of the first effective measuring range to the maximum effective reading and the range from the lower limit of the first effective measuring range to the zero (0) reading shall be referred to as second effective measuring ranges (see the figure above). In digital insulation testers, the first and second effective measuring ranges shall be those indicated on the insulation tester (Excerpt from JIS C1302-2002).

## Insulation Testers

# General Specifications

Display readings	Digital	Analog	
Applicable standard	JIS C 1302		
Model	MY40	3213A	MY10, 2406E
Effect of AC components	A change in the reading must not exceed $\pm 10\%$ when a resistance calculated from the rated measuring voltage and current is connected to the tester and a capacitance of 5 mF $\pm 10\%$ is connected in parallel across the resistance.		Same as to the left, except that the connected resistance has the central scale value.
Effect of temperature	A change in the reading at an ambient temperature of 23°C must not exceed $\pm 2\%$ at each of the maximum, minimum, and central scale values of the first effective measuring range when the temperature is changed from 23°C to 0°C or to 40°C.	A change in the reading at an ambient temperature of 23°C must not exceed $\pm 5\%$ at the central scale value and be no more than $\pm 0.7\%$ of the scale length at either the infinite scale value or the zero scale value when the temperature is changed from 23°C to 0°C or to 40°C.	A change in the reading must not exceed $\pm 5\%$ at the central scale value and be no more than $\pm 0.7\%$ of the scale length at either the infinite scale value or the zero scale value when the temperature is changed from 20°C to 0°C or to 40°C.
Effect of humidity	A change in the reading must be within the specified tolerance range when the tester is left to stand for one hour under a relative humidity of 90%.		
Effect of external magnetic field	A change in the reading must not exceed $\pm 3\%$ (analog) and be no more than $\pm 1.2\%$ (digital) at each of the maximum, minimum, and central scale values of the first effective measuring range when an external magnetic field of 400 A/m DC is applied to the direction where the effect thereof is the most significant.		Same as to the left, except that a change at the central scale value must be read.
Effect of inclination		A change in the infinite scale value ( $\infty$ ) must not exceed $\pm 2\%$ of the scale length when the tester is inclined 90° forward or backward and leftward or rightward from the horizontal position. Also, a change in the reading must not exceed $\pm 15\%$ at each of the maximum, minimum, and central scale values of	A change in the infinite scale value ( $\infty$ ) must not exceed $\pm 2\%$ of the scale length when the tester is inclined 30° forward or backward and leftward or rightward from the horizontal position.
Effect of external voltage application	No damage should be present when a 50 Hz or 60 Hz AC voltage with an amplitude 1.2 times the rated test range is applied across the test terminals for 10 seconds each time the tester switch is turned ON and OFF. Nor should the user be subjected to any danger.		Same as to the left, except that the voltage is applied for 10 seconds with the tester switch turned OFF.
Effect of vibration	No structural damage should be present and a change in the reading must be within the specified tolerance after applying a vibration frequency of 25 Hz and a displacement amplitude width of 1 mm for 20 minutes to each of three axis directions.		No mechanical or electrical damage should be present and the rating within the specified tolerance must be satisfied after applying a vibration frequency of 16.7 Hz and a double amplitude of 4 mm for one hour to each of three axis directions.
Effect of shock	No structural damage should be present and a change in the reading must be within the specified tolerance after directly and reversely applying 1000 m/s <sup>2</sup> , 6 ms half sine-wave shocks to the three axis directions three times each (i.e., 18 times in total).		The rating within the specified tolerance must be satisfied after applying a shock of 1000 m/s <sup>2</sup> to each of three directions twice each.
Operating temperature/humidity range	0°C to 40°C/90% RH maximum (no condensation)		
Storage temperature/humidity range	-10°C to 60°C/70% RH maximum (no condensation – batteries should be removed)		

## Points on How to Choose an Insulation Tester

# 1

### Type

Two choices:  
Choose an analog model if visual recognition is of utmost importance, or a digital model if precise numeric recognition is of utmost importance.

# 2

### Ratings

A wide choice of voltage/resistance ratings, from 25 V/5 MΩ to 1000 V/2000 MΩ  
Some models have two or three ranges; thus, you need not take more than one instrument to the site.

# 3

### Functionality

Each series includes a model or models with a backlight for working in dark places. Multi-functional models capable of, for example, AC voltage measurement, are also available.





# 4

### Accessories

Optional test probes and probe tips are available for a variety of test environments.

## Insulation Testers

# Selection Guide

Type	Series/ Model	Suffix Code & Backlight	Rating	AC Voltage Measuring range	Display	Additional Function	External View	Page			
Digital insulation testers	4 ranges	MY40 CE *	01 (EL-illuminated)	125V/200MΩ 250V/200MΩ 500V/2000MΩ 1000V/2000MΩ	0-600V	3 1/2-digit LCD	Automatic discharge Conductor resistance measurement Comparator function Memory function		P.3		
Analog insulation testers	2 & 3 ranges	2406E CE	31 (N/A)	25V/5MΩ	0-300V	Analog	Automatic discharge Battery check		P.4		
			41 (EL-illuminated)	50V/10MΩ 125V/20MΩ							
			32 (N/A)	125V/20MΩ	0-300V						
			42 (EL-illuminated)	250V/50MΩ							
			33 (N/A)	125V/20MΩ	0-600V						
			43 (EL-illuminated)	250V/50MΩ 500V/100MΩ							
			34 (N/A)	250V/50MΩ	0-600V						
			44 (EL-illuminated)	500V/100MΩ 1000V/2000MΩ							
	35 (N/A)	250V/500MΩ	0-600V								
	45 (EL-illuminated)	500V/1000MΩ 1000V/2000MΩ									
	Single range	MY10 CE	01 (afterglow-illuminated)	125V/20MΩ	0-250V	Analog	Automatic discharge Battery check				P.5
			02 (afterglow-illuminated)	250V/50MΩ	0-300V						
			03 (afterglow-illuminated)	500V/100MΩ	0-500V						
04 (afterglow-illuminated)			500V/1000MΩ	0-500V							
05 (afterglow-illuminated)			1000V/2000MΩ	0-500V							
Single range	3213A *	41 (N/A)	100V/20MΩ	0-150V	Analog	Battery check		P.6			
		42 (N/A)	250V/50MΩ	0-250V							
		43 (N/A)	500V/100MΩ	0-300V							
		44 (N/A)	500V/1000MΩ	0-300V							
		45 (N/A)	1000V/2000MΩ	0-300V							
		46 (N/A)	125V/20MΩ	0-250V							

\* JIS mark has changed from 2008

# MY40 Digital Insulation Tester

# MY40 SERIES



- **Digital model with 4 voltage/resistance ratings**
- **Multifunction**  
Insulation resistance, AC voltage and conductor resistance measurement  
Insulation test mode: Comparator, memory, auto-hold and discharge functions  
All test modes: Live-line alarm (excluding AC voltage measurement), battery check and automatic power-off
- **Easy-to-view, fluctuation-free display**
- **Double-action safety mechanism**



← Protection against inadvertent setting of rotary switch to 1000 V rating

## Testing Performance Specifications

Model	Rating	Range Option	Resolution	Measuring Range	Tolerance	Lower Limit of measured $\Omega$	Rated Current	Central Scale Value
MY40-01	125V/200M $\Omega$	.4000	.1k $\Omega$	0–0.199M $\Omega$	$\pm$ (5% of rdg+6dgt)	0.125M $\Omega$	1mA	5M $\Omega$
		4.000	1k $\Omega$	.0200–10.00M $\Omega$ *	$\pm$ (2% of rdg+6dgt)			
		40.00	10k $\Omega$	10.01–200.0M $\Omega$	$\pm$ 5% of rdg			
		200.0	100k $\Omega$					
MY40-01	250V/200M $\Omega$	.4000	.1k $\Omega$	0–0.499M $\Omega$	$\pm$ (5% of rdg+6dgt)	0.25M $\Omega$	1mA	5M $\Omega$
		4.000	1k $\Omega$	.0500–20.00M $\Omega$ *	$\pm$ (2% of rdg+6dgt)			
		40.00	10k $\Omega$	20.01–200.0M $\Omega$	$\pm$ 5% of rdg			
		200.0	100k $\Omega$					
MY40-01	500V/2000M $\Omega$	4.000	1k $\Omega$	0–0.999M $\Omega$	$\pm$ (5% of rdg+6dgt)	0.5M $\Omega$	1mA	50M $\Omega$
		40.00	10k $\Omega$	1.000–500M $\Omega$ *	$\pm$ (2% of rdg+6dgt)			
		400.0	100k $\Omega$	501–2000M $\Omega$	$\pm$ 5% of rdg			
		2000	1M $\Omega$					
MY40-01	1000V/2000M $\Omega$	4.000	1k $\Omega$	0–1.999M $\Omega$	$\pm$ (5% of rdg+6dgt)	2M $\Omega$	0.5mA	50M $\Omega$
		40.00	10k $\Omega$	2.000–1000M $\Omega$ *	$\pm$ (2% of rdg+6dgt)			
		400.0	100k $\Omega$	1001–2000M $\Omega$	$\pm$ 5% of rdg			
		2000	1M $\Omega$					

\* First effective measuring range; \*\* The minimum value at which the rated voltage can be maintained

### Standard test conditions

Ambient temperature/humidity ranges: 23  $\pm$  5°C/45–75% RH

### Tolerances under the above-mentioned conditions:

Deviation from zero scale value: 6 digits maximum

Indication of  $\infty$  mark on bar graph: Approx. 4000 M $\Omega$  min. (500 V/1000 V)  
Approx. 400 M $\Omega$  min. (125 V/250 V)

Open circuit voltage: 130% max. of rated voltage

Rated measuring current: 1 mA (0 to 20%) when in first effective measuring range  
Short-circuit Current: 2 mA max.

### AC voltage measurement (45–400 Hz)

Model	Range	Resolution	Accuracy	Input Impedance
MY40-01	600V	1V	$\pm$ (2% of rdg + 6dgt)	Approx. 2 M $\Omega$

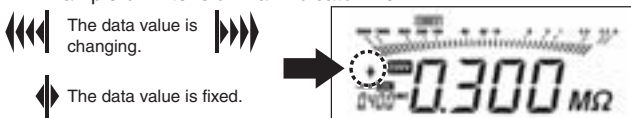
### Conductor resistance measurement

Model	Range	Resolution	Accuracy	Open-circuit Voltage
MY40-01	400 $\Omega$	0.1 $\Omega$	$\pm$ (2% of rdg + 8dgt)	Buzzer sound resistance: <40 $\Omega$ .

## General Specifications

**Display:** 3 1/2-digit LCD; 4000 count; backlight-illuminated; logarithmic bar graph; extension bar graph—no fluctuations, as the display shows the digits of a reading in the order in which each digit settles.

### Example of Extension Bar Indicator View



**Comparator function:** The MY40 alerts you by turning on the LOW symbol and sounding the buzzer if the measured value is smaller than the reference value. You can allocate as many as three user-defined reference values to each rating. The factory-set defaults are 0.1 M $\Omega$ , 0.2 M $\Omega$  and 0.4 M $\Omega$ .

**Memory function:** For each rating, you can save as many as 20 measurements at desired memory address numbers.

**Automatic discharge function:** The MY40 automatically begins discharge when you turn off the MEAS switch. You can monitor the state of discharge by checking the bar graph and make sure discharge is complete by checking that the segment bar disappear.

**High-voltage indicators:** The high-voltage symbol and LED lamp come on to alert you when the MY40 is in insulation testing mode or if any voltage remains to be discharged.

**Live-line alarm:** If you apply an AC voltage of approximately 40 V or higher across the input terminals, the MY40 alerts you by blinking the LED lamp and sounding the buzzer.

**Overrange input alarm:** If the voltage being measured exceeds 600 V during AC voltage measurement, the MY40 alerts you by flashing the Maximum Value indicator and sounding the buzzer.

**Auto-hold function:** The tester retains the measured resistance for approximately 5 seconds after the MEAS switch is turned off.

**Dimensions:** 125 (W)  $\times$  103 (H)  $\times$  53 (D) (mm), excluding protrusions

**Weight:** 420 g (main unit and batteries only, excluding accessories)

**Batteries:** Four AA (R6P) batteries

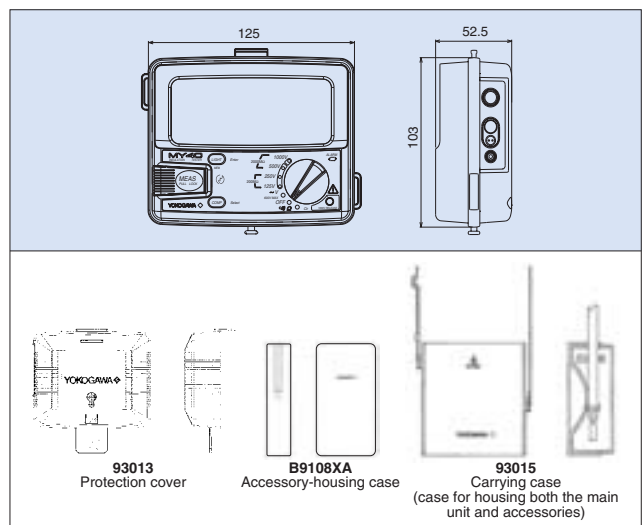
Note: See the list of accessories on the backside of this bulletin for more information on accessories.

## Standard Accessories

Product	Part Number	Qty
Protection cover	93013	1
Shoulder strap	99005	1
Line probe	98001	1
Earth probe	98002	1
User's manual	—	1
Batteries	—	4

## External Dimensions

Unit: mm



# 2406E Series of Analog Insulation Testers

# 2406E SERIES



240631 240632 240633 240634 240635 240641  
240642 240643 240644 240645

- Analog models with two and three ratings
- AC voltage measurement
- Automatic discharge
- Sky blue EL backlight

## Testing Performance Specifications

Model	Suffix Code	Rating	Effective Measuring range	Central Scale Value	AC Voltage Measuring range	Lower limit of measured $\Omega$	Rated Current
240631	-E	25V/5M $\Omega$	0.001–5M $\Omega$	0.1M $\Omega$	0–300V	0.025M $\Omega$	1mA
240641	-E	50V/10M $\Omega$	0.005–10M $\Omega$	0.2M $\Omega$		0.05M $\Omega$	1mA
		125V/20M $\Omega$	0.01–20M $\Omega$	0.5M $\Omega$		0.125M $\Omega$	1mA
240632	-E	125V/20M $\Omega$	0.01–20M $\Omega$	0.5M $\Omega$	0–300V	0.125M $\Omega$	1mA
240642	-E	250V/50M $\Omega$	0.01–50M $\Omega$	1M $\Omega$		0.25M $\Omega$	1mA
240633	-E	125V/20M $\Omega$	0.01–20M $\Omega$	0.5M $\Omega$	0–600V	0.125M $\Omega$	1mA
240643	-E	250V/50M $\Omega$	0.01–50M $\Omega$	1M $\Omega$		0.25M $\Omega$	1mA
		500V/100M $\Omega$	0.05–100M $\Omega$	2M $\Omega$		0.5M $\Omega$	1mA
240634	-E	250V/50M $\Omega$	0.01–50M $\Omega$	1M $\Omega$	0–600V	0.25M $\Omega$	1mA
240644	-E	500V/100M $\Omega$	0.05–100M $\Omega$	2M $\Omega$		0.5M $\Omega$	1mA
		1000V/2000M $\Omega$	1–2000M $\Omega$	50M $\Omega$		1M $\Omega$	1mA**
240635	-E	250V/500M $\Omega$	0.1–500M $\Omega$	10M $\Omega$	0–600V	0.25M $\Omega$	1mA**
240645	-E	500V/1000M $\Omega$	0.5–1000M $\Omega$	20M $\Omega$		0.5M $\Omega$	1mA**
		1000V/2000M $\Omega$	1–2000M $\Omega$	50M $\Omega$		1M $\Omega$	1mA**

EL-backlit    Non-backlit    \* The minimum value at which the rated voltage can be maintained;  
\*\* 0.55 mA in the case of the first effective measuring range

### Standard test conditions:

Ambient temperature/humidity ranges: 23  $\pm$ 5°C/45–75% RH

Position of use: Horizontal (5° max. of angle of inclination)

External magnetic fields: None

Battery voltage: Within effective voltage range

(The pointer must stay within the range indicated by the BAT symbol when the battery check is performed.)

### Tolerances under the above-mentioned conditions:

Resistance measurement: First effective measuring range =  $\pm$ 5% of reading

Second effective measuring range =  $\pm$ 10% of reading

Infinite and zero scale values: 0.7% max. of scale length

AC voltage:  $\pm$ 10% of maximum scale value

No-load voltage: 130% max. of rated voltage

Rated measuring current: 1 mA (0 to 20%) when in first effective measuring range

Short-circuit current: 12 mA max.

## General Specifications

**Scale length:** Approx. 86 mm (outer scale)

**Discharge function:** The tester automatically begins discharge when you turn off the MEAS switch. The pointer swings if there is any residual voltage in the circuit under test. You can make sure discharge is complete by checking that the pointer swings back to the infinite ( $\infty$ ) scale value. Under this condition, the tester is ready to enter voltage measurement mode.

**AC voltage measurement:** AC voltage measurement is possible wherever the rotary switch is positioned.

**Dimensions (main unit):** Approx. 120 (W)  $\times$  110 (H)  $\times$  60 (D) (mm)

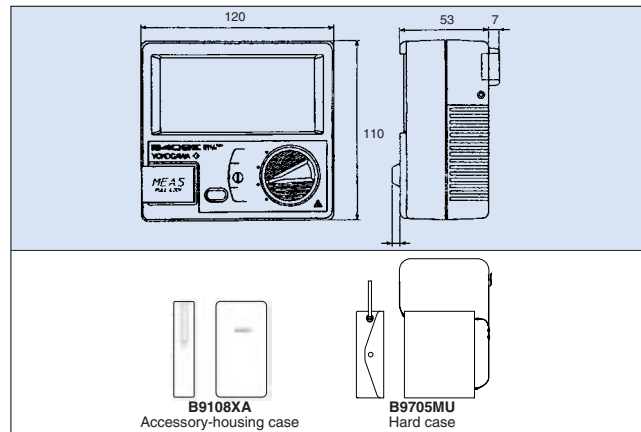
**Weight:** Approx. 500 g (including batteries)

**Batteries:** Six AA (R6P) batteries

**Accessories:** See the list of accessories on the backside of this bulletin for information on accessories.

## External Dimensions

Unit: mm



## Standard Accessories

Product	Part Number	Qty	Remarks
Earth and Line probes	98007	1	Earth probe(blake);approx. 1m long Line probe(vermilion);approx. 1m long
Carrying case	B9705MU	1	w/probe-housing pocket and neck strap
User's manual	–	1	–
Batteries	–	6	–



- **Analog models with single rating**  
 MY10-01:125V/20MΩ  
 MY10-02:250V/50MΩ  
 MY10-03:500V/100MΩ  
 MY10-04:500V/1000MΩ  
 MY10-05:1000V/2000MΩ
- **AC voltage measurement**
- **Automatic discharge**
- **A wide choice of accessories**  
 –Designed for shared use with the MY40

## Testing Performance Specifications

Model	Rating	Effective Measuring Range	Central Scale Value	AC Voltage Measuring Range	Lower Limit of Measured Ω*	Rated Current
MY10-01	125V/20MΩ	0.01–20MΩ	0.5MΩ	0–250V	0.125MΩ	1–1.2mA
MY10-02	250V/50MΩ	0.01–50MΩ	1MΩ	0–300V	0.25MΩ	1–1.2mA
MY10-03	500V/100MΩ	0.05–100MΩ	2MΩ	0–500V	0.5MΩ	1–1.2mA
MY10-04	500V/1000MΩ	0.5–1000MΩ	20MΩ	0–500V	1MΩ	0.5–0.6mA
MY10-05	1000V/2000MΩ	1–2000MΩ	50MΩ	0–500V	2MΩ	0.5–0.6mA

\* The minimum value at which the rated voltage can be maintained

### Standard test conditions:

Ambient temperature/humidity ranges: 23 ±5°C/45–75% RH  
 Position of use: Horizontal (5° max. of angle of inclination)  
 Effect of geomagnetism: None  
 Battery voltage: Within effective voltage range  
 (The pointer must stay within the range indicated by the BAT symbol when the battery check is performed.)

### Tolerances under the above-mentioned conditions:

Resistance measurement: First effective measuring range = ±5% of reading  
 Second effective measuring range = ±10% of reading  
 Infinite and zero scale values: 0.7% max. of scale length  
 AC voltage: ±10% of maximum scale value  
 No-load voltage: 130% max. of rated voltage  
 Rated measuring current: 1 mA (0 to 20%) when in first effective measuring range  
 Short-circuit current: 12 mA max.

## General Specifications

**Overall scale length:** Approx. 78 mm; afterglow-illuminated scale plate

**AC voltage measurement:** If any AC voltage is present across the test terminals, the tester lets you know by pointing to an AC voltage value and turning on the LED lamp. You can perform AC voltage measurement with the MEAS switch turned off.

### Additional functions:

- Automatic discharge function
  - If the object under test remains electrified after the MEAS switch is turned off, the tester lets you know by the LED lamp. If you leave the tester connected to the electrified object, the tester automatically begins to discharge electricity and then finishes discharging—the LED lamp comes on and then goes out.
  - When the object under test is capacitive and electrified, the tester lets you know by turning on the LED lamp. When left connected to the object, the tester automatically discharges electricity, thus preventing possible electric shock or spike noise at power-on.
- Battery check (BAT mark on the scale plate)

**Battery life:** Approx. 10 hours when continuously operated on manganese-oxide batteries with the pointer pointing to the central scale value.

**Batteries:** Four AA (R6P) batteries

**Dimensions:** Approx. 125 (W) × 103 (H) × 53 (D) (mm), excluding protrusions

**Weight:** Approx. 400 g (main unit and batteries only, excluding accessories)

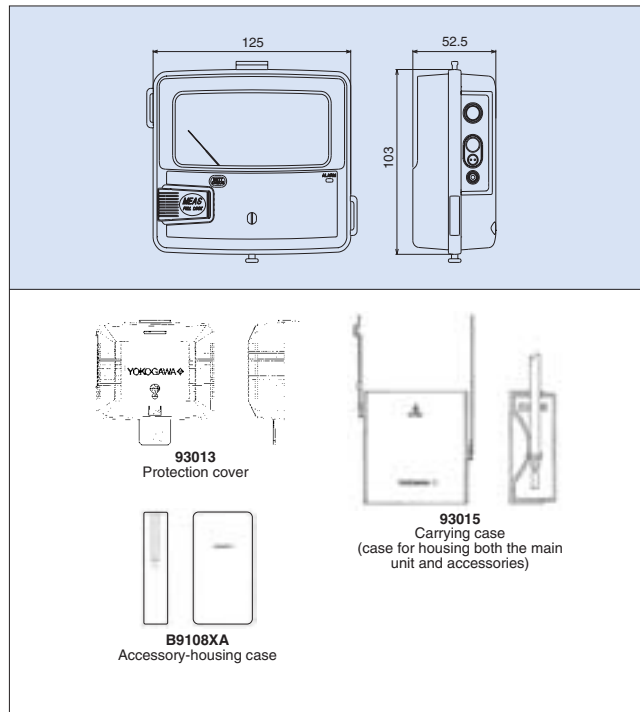
**Compliance:** EN61010-1:1993; EN61010-2-31:1995  
 (Overvoltage Category III, Pollution Degree 2 installations for indoor use)

## Standard Accessories

Product	Part Number	Qty
Protection cover	93013	1
Shoulder strap	99005	1
Line probe	98001	1
Earth probe	98002	1
User's manual	–	1
Batteries	–	4

## External Dimensions

Unit: mm



# 3213A Series of Analog Insulation Testers

# 3213A SERIES



- Analog models with single rating
- AC voltage measurement and check live lines such as motive power lines
- One-touch operation Press-and-lock switch for continuous measurement
- A wide choice of accessories to meet various testing requirements
- Vibration- and shock-resistant hand-held compact testers

## Testing Performance Specifications

Model	Rating	Effective Measuring Range	Central Scale Value	AC Voltage Measuring Range	Lower Limit of measured $\Omega$	Rated Current
321341	100V/20M $\Omega$	0.02–20M $\Omega$	0.5M $\Omega$	0–150V	0.1M $\Omega$	1mA
321342	250V/50M $\Omega$	0.05–50M $\Omega$	1M $\Omega$	0–250V	0.25M $\Omega$	1mA
321343	500V/100M $\Omega$	0.1–100M $\Omega$	2M $\Omega$	0–300V	0.5M $\Omega$	1mA
321344	500V/1000M $\Omega$	1–1000M $\Omega$	20M $\Omega$	0–300V	0.5M $\Omega$	1mA**
321345	1000V/2000M $\Omega$	2–2000M $\Omega$	50M $\Omega$	0–300V	1M $\Omega$	1mA**

\* The minimum value at which the rated voltage can be maintained; \*\* 0.55 mA in the case of the first effective measuring range

### Standard test conditions:

Ambient temperature/humidity ranges: 23  $\pm$  5 $^{\circ}$ C/45–75% RH

Position of use: Horizontal (5 $^{\circ}$  max. of angle of inclination)

Effect of geomagnetism: None

Battery voltage: Within effective voltage range

(The pointer must stay within the range indicated by the BAT symbol when the battery check is performed.)

### Tolerances under the above-mentioned conditions:

Resistance measurement:

First effective measuring range =  $\pm$ 5% of reading

Second effective measuring range =  $\pm$ 10% of reading

Infinite and zero scale values: 0.7% max. of scale length

AC voltage:  $\pm$ 10% of maximum scale value

Open circuit voltage: 130% max. of rated voltage

Rated measuring current: 1 mA (0 to 20%) when in first effective measuring range

Short-circuit current: 12 mA max.

## General Specifications

Scale length: Approx. 88 mm

Dimensions (main unit): Approx. 110 (W)  $\times$  180 (H)  $\times$  60 (D) (mm)

Weight: Approx. 700 g including batteries, or approx. 1.2 kg including hard case, handle, test leads and batteries

Batteries: Eight AA (R6P) batteries

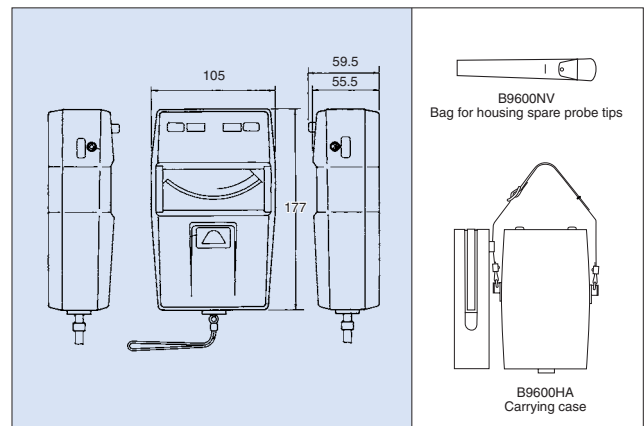
Accessories: See the list of accessories on the backside of this bulletin for information on accessories such as probes with a switch.

## Standard Accessories

Product	Part Number	Qty
Test lead	98050	1 (consist of earth/line terminal)
Hard case	B9600HA	1 (w/leads-housing case)
Handle	B9303XE	1
User's manual	–	1
Batteries	–	8

## External Dimensions

Unit: mm



## Related Products

### Earth Tester



#### Model 3235: (including case)

Dimensions: Approx. 210  $\times$  140  $\times$  135 (mm)

Weight: Approx. 2.5 kg, including case

### Automatic Power Distribution Tester



#### Model 3207: (with case)

Dimensions: Approx. 210  $\times$  140  $\times$  142 (mm)

Weight: Approx. 2.3 kg (main unit only)

# Quick-reference Table of Accessories

Series/Model		3213A	2406E	MY10	MY40
Spare probe tip	For breaker pins	-	-	99011	
	General-purpose	B9600GN		B9600GN *2	
	Hook-shaped	B9600NW		B9600NW *2	
	Extended	B9600NX		B9600NX *2	
	Sharp-pointed	B9600NZ		B9600NZ *2	
	Pickax-shaped	B9635JK		B9635JK *2	
Probe	Line probe	-	98007	98001	
	Earth probe	-	Earth and Line probes	98002	
	Measuring Lead unit (Paired earth/line terminals)	98050	-	-	
	Probe with switch	98051	B9204FX	-	
	Replaceable type Line Probe	-	-	98052	
Case *1	Bag for housing spare probe tips	B9600NV	-	-	
	Accessory-housing case	B9646CA	B9108XA	B9108XA	
	Carrying case	B9600HA	B9075MU (hard case) B9075MV (soft case) Note: Includes an accessory-housing case.	93015 Store main unit /accessories	
Others	Protection cover	-	-	93013	
	Shoulder strap	-	-	99005	
	Handle	B9303XE	-	-	
	Lead for guard terminals	321803		-	

Note that the color of the plastic part of a probe tip may not always match that of the probe, depending on the combination.

\*1 Regarding external dimensions of cases, Pls refer to each product specification.

\*2 For using with MYSeries, 98052 is necessary.

## ■ Spare Probe Tips

Unit: mm

No.	Description	Remarks
①	Testing shank	Metal shank with ø6 screw
②	Fastening nut	ABS resin
③	PVC-clad	

## ■ Probes

Unit: mm

## ■ Probes with Switch

Unit: mm

## ■ Others

Unit: mm

**YOKOGAWA**   
Yokogawa Meters & Instruments Corporation

World Wide Web site at <http://www.yokogawa.com/MCC>

### ⚠ NOTICE

- Before using the product, read the instruction manual carefully to ensure proper and safe operation.

YOKOGAWA METERS & INSTRUMENTS CORPORATION Tachih Bld. No.2, 6-1-3 Sakaecho, Tachikawa-shi, Tokyo, 190-8586 Japan  
International Sales Dept. Phone: +81-42-534-1413 Facsimile: +81-42-534-1426

YOKOGAWA CORPORATION OF AMERICA (U.S.A.) Phone: +1-770-253-7000	Phone: +1-770-254-0928	Facsimile: +1-770-254-0928
YOKOGAWA EUROPE B. V. (THE NETHERLANDS) Phone: +31-88-4641000	Phone: +31-88-4641111	Facsimile: +31-88-4641111
YOKOGAWA ENGINEERING ASIA PTE. LTD. (SINGAPORE) Phone: +65-6241-9933	Phone: +65-6241-2606	Facsimile: +65-6241-2606
YOKOGAWA AMERICA DO SUL LTDA (BRAZIL) Phone: +55-11-5681-2400	Phone: +55-11-5681-4434	Facsimile: +55-11-5681-4434
YOKOGAWA MEASURING INSTRUMENTS KOREA CORPORATION (KOREA) Phone: +82-2-551-0660	Phone: +82-2-551-0665	Facsimile: +82-2-551-0665
YOKOGAWA AUSTRALIA PTY. LTD. (AUSTRALIA) Phone: +61-2-8870-1100	Phone: +61-2-8870-1111	Facsimile: +61-2-8870-1111
YOKOGAWA INDIA LTD. (INDIA) Phone: +91-80-4158-6000	Phone: +91-80-2852-1441	Facsimile: +91-80-2852-1441
YOKOGAWA SHANGHAI TRADING CO., LTD. (CHINA) Phone: +86-21-6239-6363	Phone: +86-21-6880-4987	Facsimile: +86-21-6880-4987
YOKOGAWA MIDDLE EAST B. S. C.(C) (BAHRAIN) Phone: +973-17-358100	Phone: +973-17-336100	Facsimile: +973-17-336100
YOKOGAWA ELECTRIC CIS LTD. (RUSSIAN FEDERATION) Phone: +7-495-737-7868	Phone: +7-495-737-7869	Facsimile: +7-495-737-7869

Represented by:

MIK-ES16